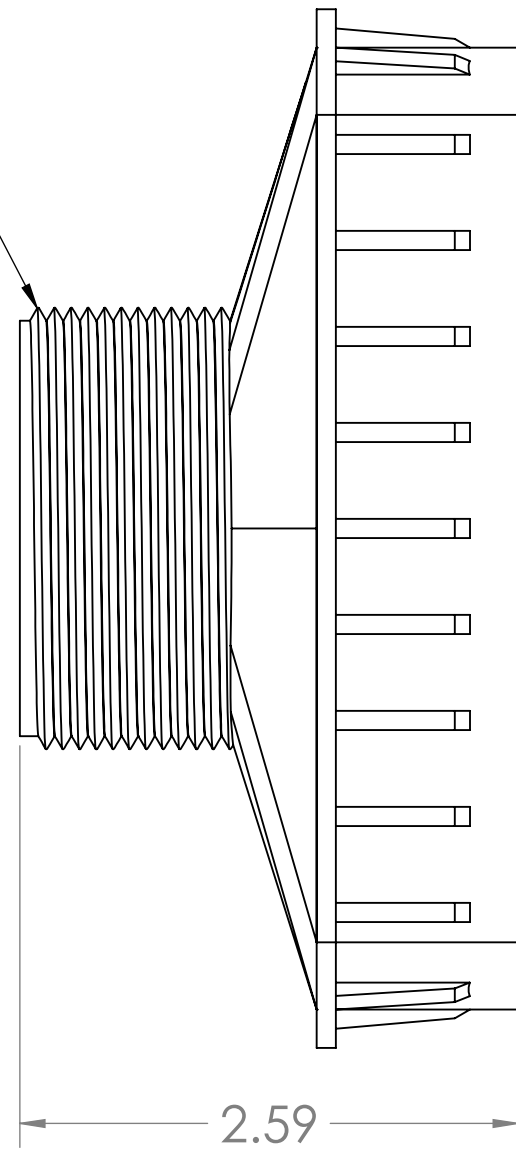
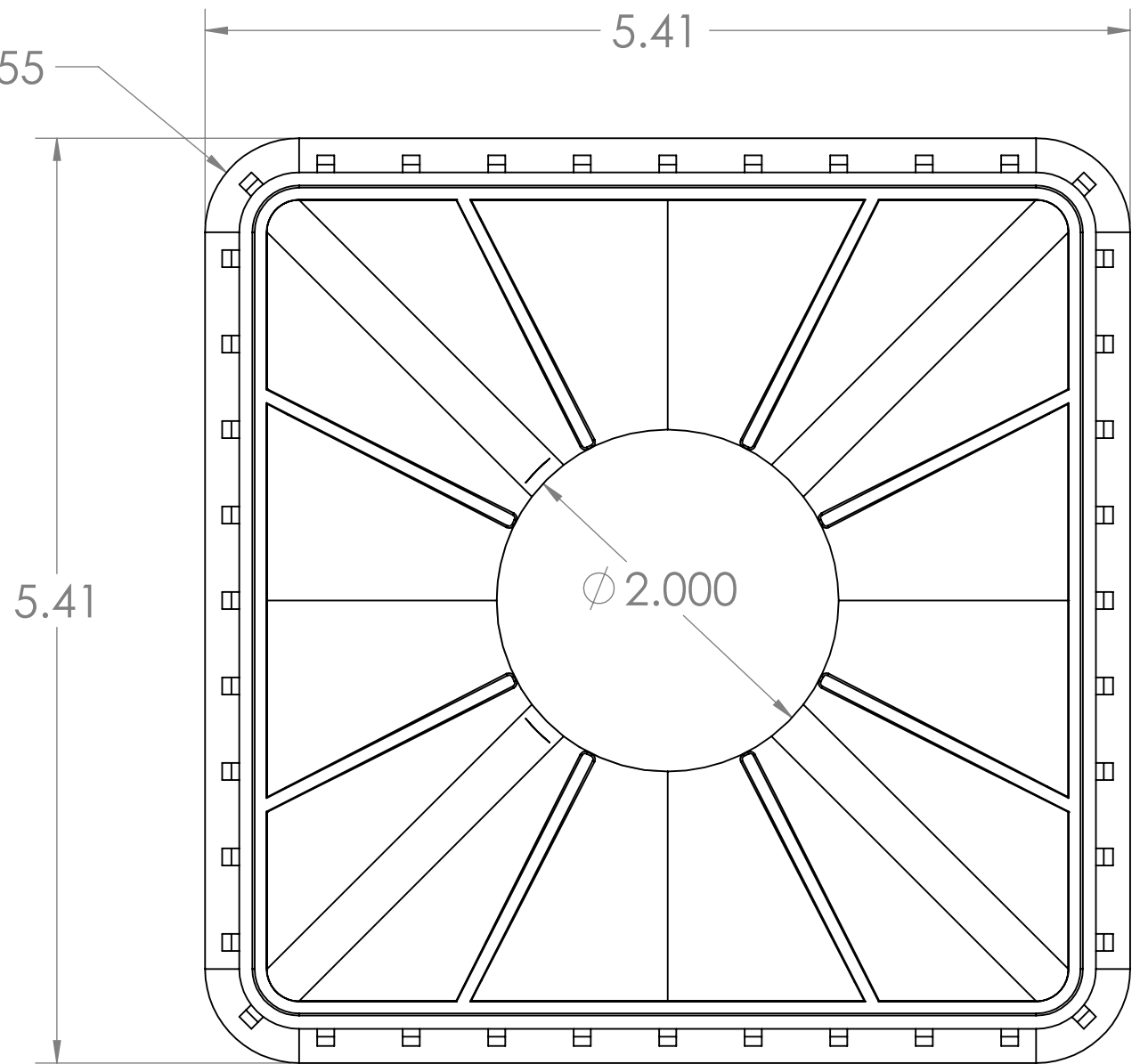


2" NPT



2.59

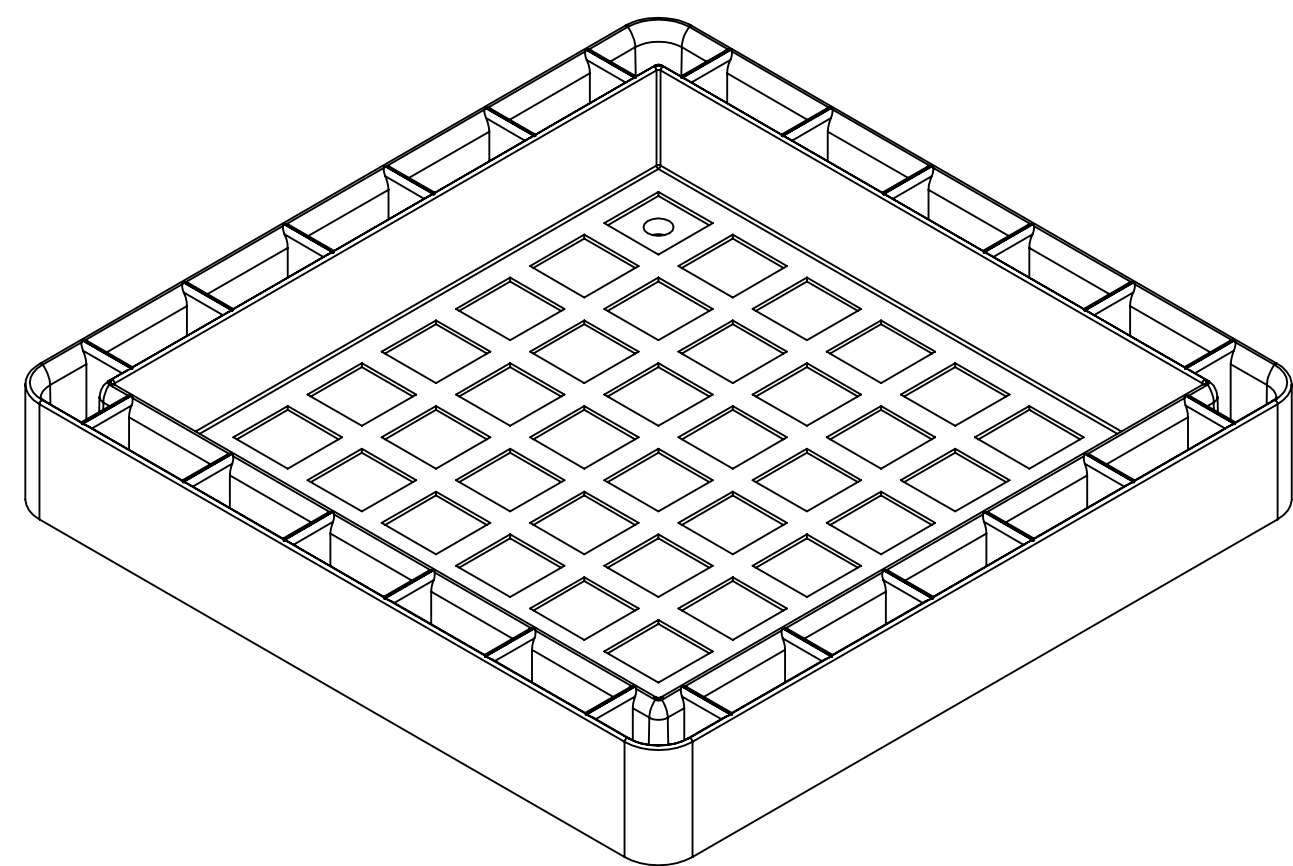
4X R.55



5.41

5.41

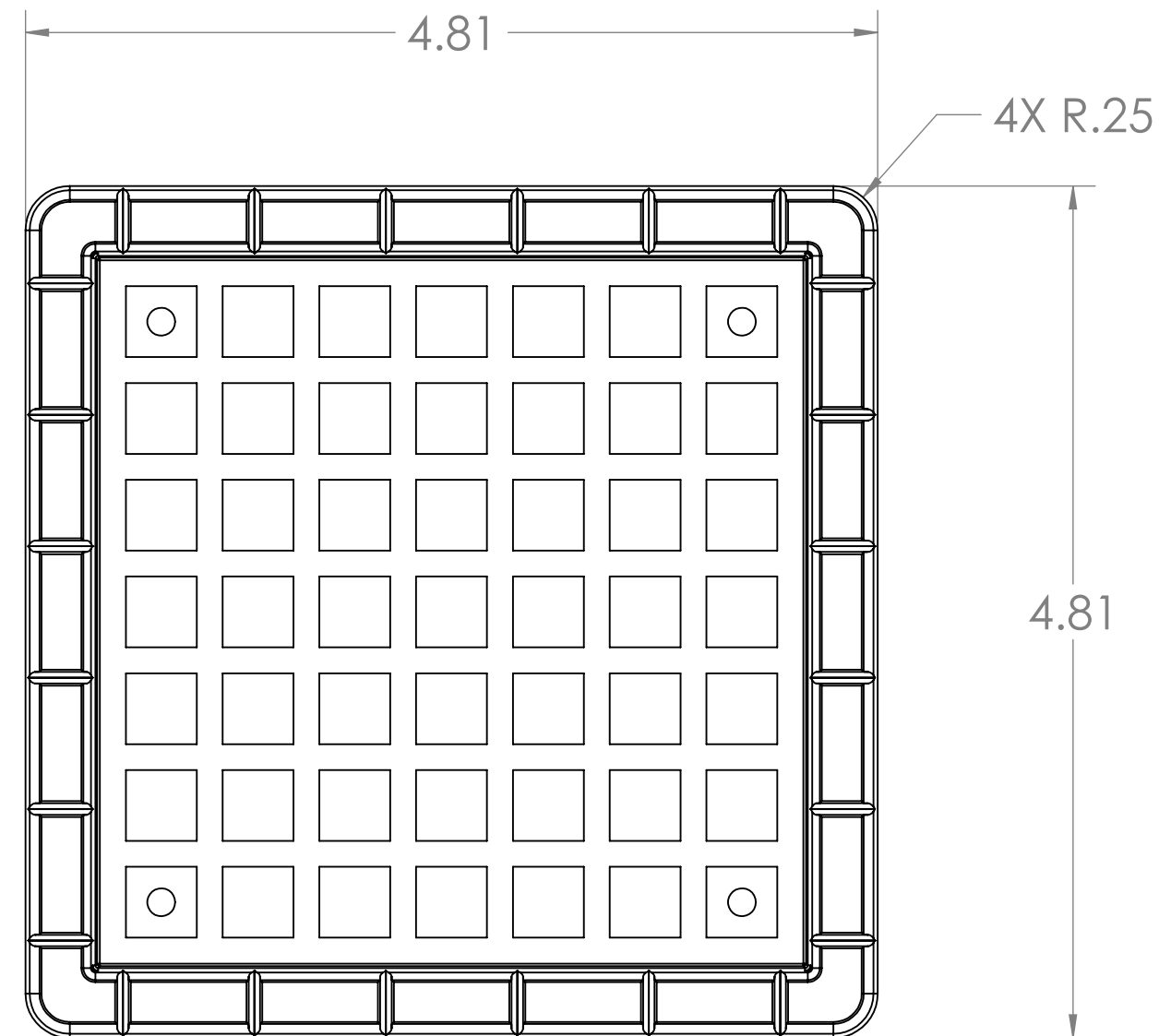
Ø 2.000



.75



4.81



4.81

4X R.25

\* ALL DIMENSION ARE REFERENCE UNLESS SPECIFIED

**PROPRIETARY AND CONFIDENTIAL**  
THE INFORMATION CONTAINED IN THIS DRAWING IS THE  
SOLE PROPERTY OF EDGE PLASTICS. ANY REPRODUCTION  
IN PART OR AS A WHOLE WITHOUT THE WRITTEN PERMISSION  
OF EDGE PLASTICS IS PROHIBITED.

			1850-C Massachusetts Av Riverside, CA 92507 951 786 4750 X113	
	NAME	DATE	TITLE:	
DRAWN	Aventura	07/19/12	4 INCH DRAIN	
CHECKED			SIZE	DWG. NO.
MATERIAL			<b>C</b>	4 INCH DRAIN
FINISH			SCALE: 1:1	WEIGHT:
			SHEET 1 OF 1	

REV  
**A**