

THE Tile DRAIN

TD101 Tile Drain Instructions

Shower pan and 2" standard flange should always be installed by a professional contractor.



ASME A112.18.2-2011/CSA B125.2-11

Easy to Install:

Step 1: Leak Test

Plug 2" drain flange and fill shower pan with water to check for leaks.

Step 2: Drain Collar

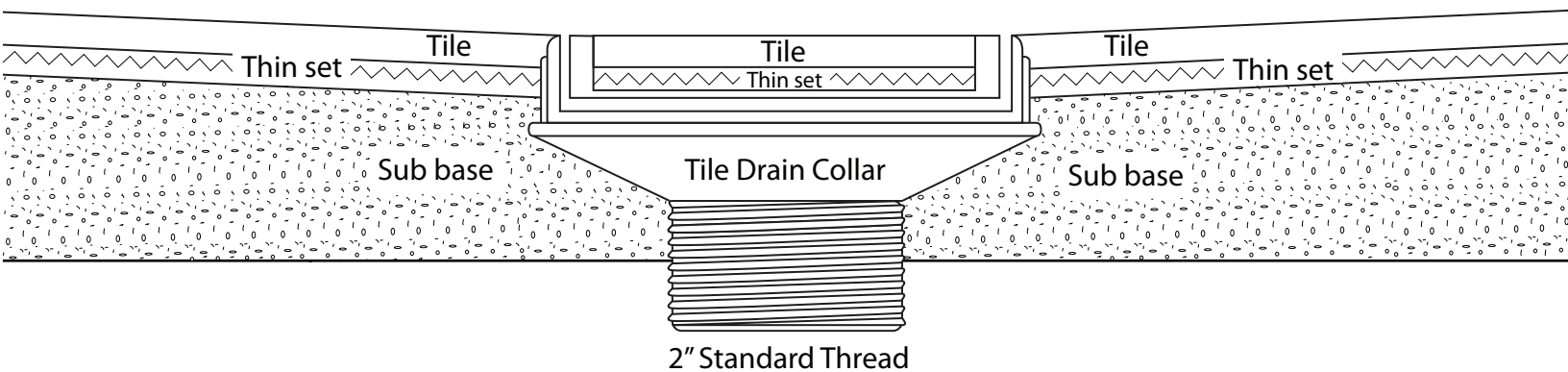
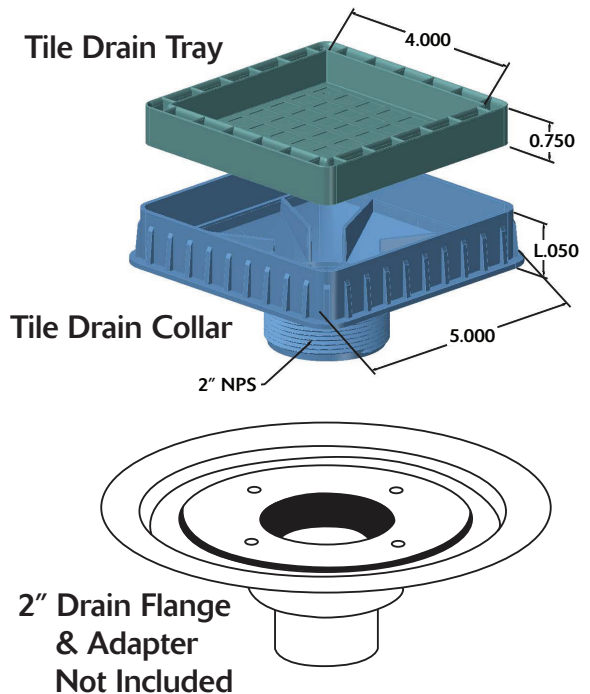
Thread collar into 2" drain flange. Keep turning to desired elevation for finished surface.

Step 3: Sub base and Tile

Float sub base minus tile or stone 1% to 2% pitch to drain. Then set tile to finished surface of collar.

Step 4: Tile Drain

For best results use tape to cover grill on tile drain. Use thinset to set tile into tile drain tray and set tile to finished surface of the drain tray. When ready, grout and remove tape.



Customer Service Call: 1-800-532-8215
A Product of Stetson Development, Inc.

More Information at:
TheTileDrain.com

