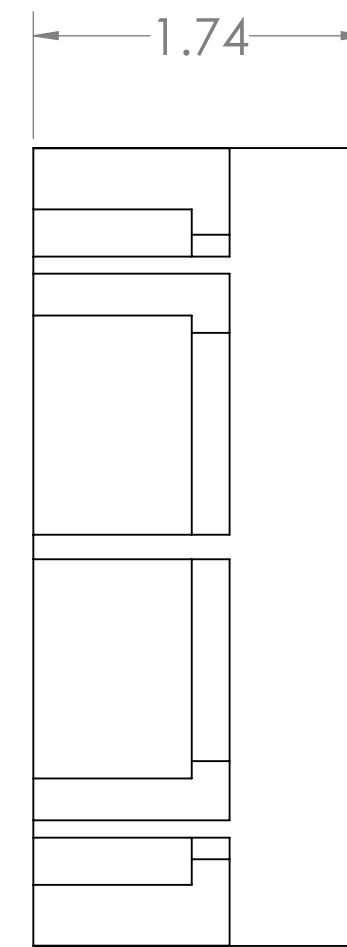
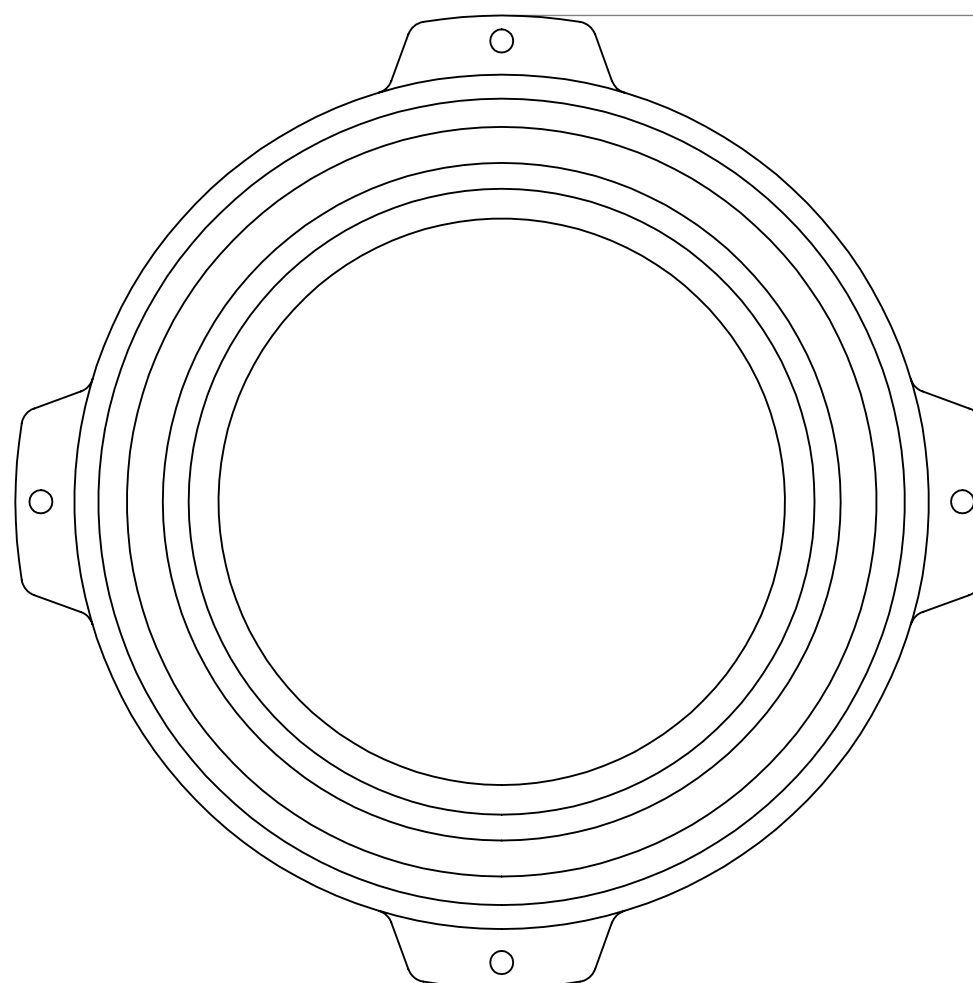
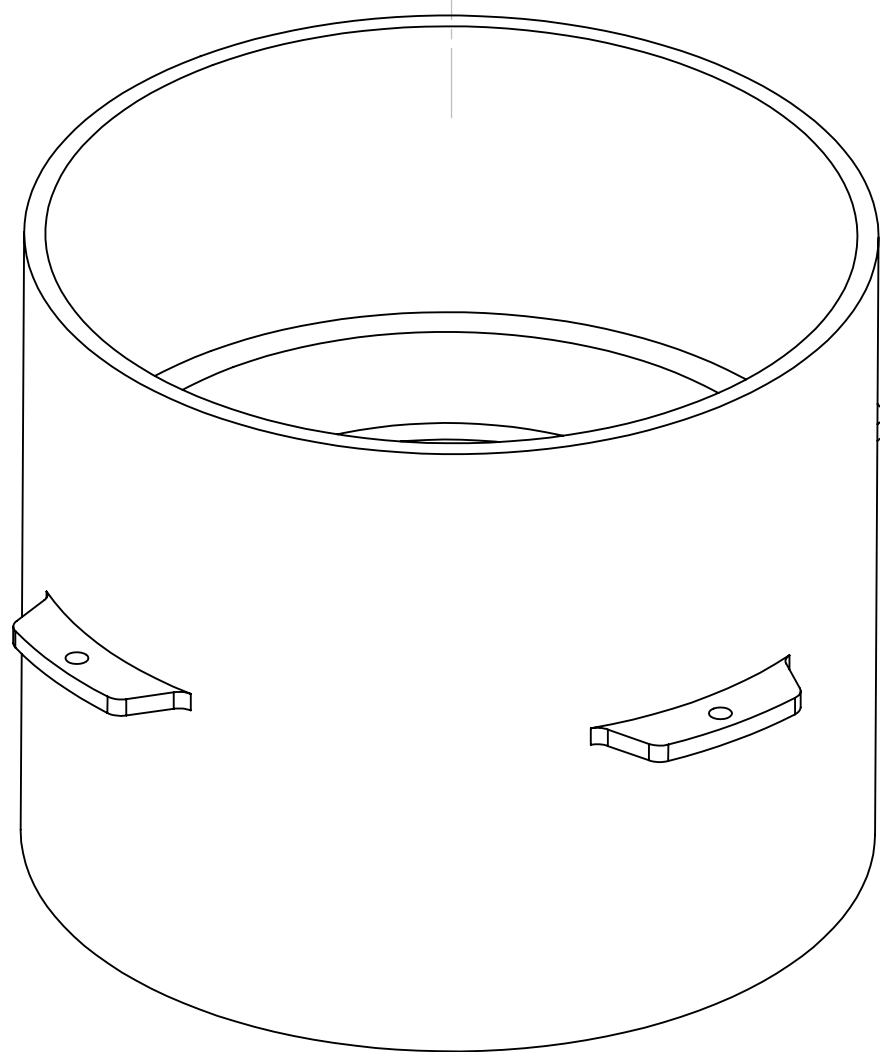


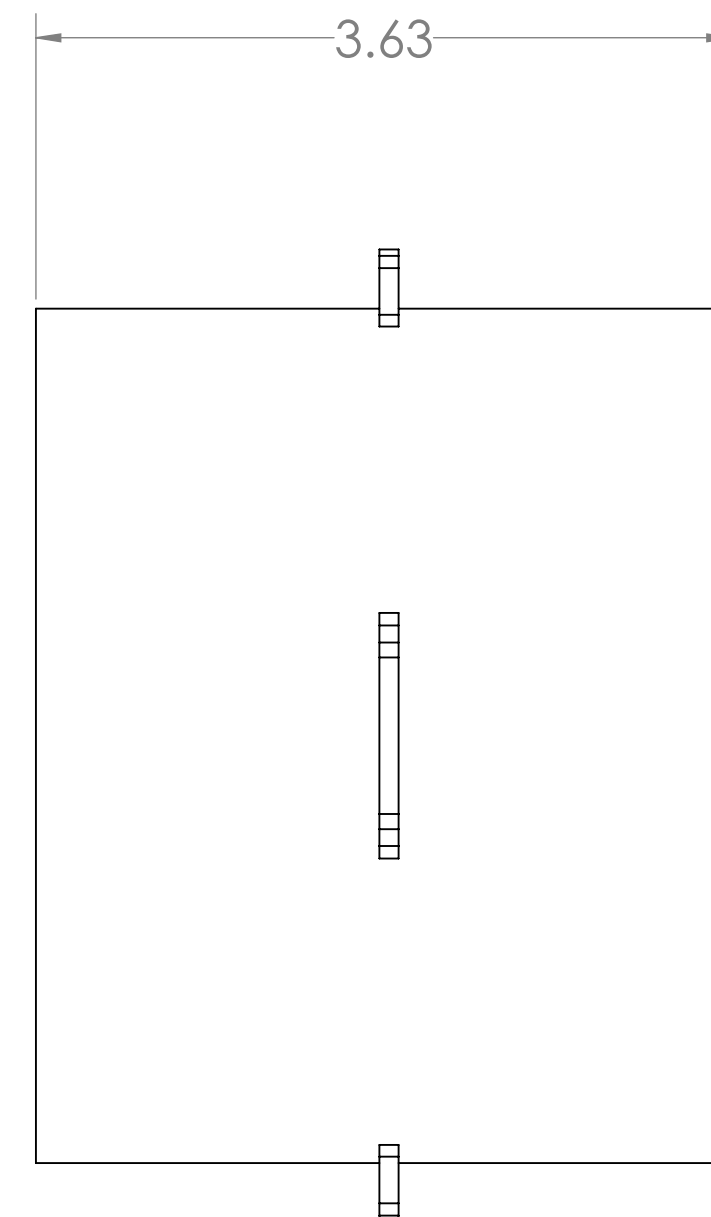
Ø 4.16



1.74



Ø 5.07



3.63

* ALL DIMENSION ARE REFERENCE UNLESS SPECIFIED

PROPRIETARY AND CONFIDENTIAL
 THE INFORMATION CONTAINED IN THIS DRAWING IS THE
 SOLE PROPERTY OF EDGE PLASTICS. ANY REPRODUCTION
 IN PART OR AS A WHOLE WITHOUT THE WRITTEN PERMISSION
 OF EDGE PLASTICS IS PROHIBITED.

			Edge Plastics 1850-C Massachusetts Av Riverside, CA 92507 951 786 4750 X113		
			TITLE: 4" DECK DRAIN		
DRAWN	NAME	DATE			
	AVENTURA	08/29/12			
CHECKED			SIZE	DWG. NO.	REV
			C	401 DECK DRAIN	A
MATERIAL			SCALE: 1:1		
FINISH			SHEET 1 OF 1		